

Unsurpassed performance and reliability in a high-tech furling system

Max system length: 67' • For boats from 34' to 53' (10-16.1m)

One-of-a-kind design meets state-of-the-art construction in this performance-oriented furling and reefing system. Designed to make an effortless transition between cruising and racing, the hybrid stainless steel and Torlon™ bearing system is built to last a lifetime, and has the lifetime warranty to prove it.

Wire Diameter 1x19ss

5/16" (8mm)

3/8" (10mm)

7/16" (11mm)*

Rod sizes - 10 - 12 - 17 - 22

Clevis pin diameter**

1/2" (12.7mm)

5/8" (16mm)

3/4" (19mm)

*7/16 (11mm) requires special bearings liners, and headstay modification, please specify when ordering.

**Must specify pin size when ordering

Notes: System fits over existing headstays with swage stud style turnbuckles. Some marine eye or mechanical fittings may require removal or re-installation.

Twin groove air foil shaped extrusion



H325 SEAFURL-5

H325-8CC

H325 Furler w/ 8 ea "C" 76" sections (53' / 16.1m)

Max wire diameter 5/16" (8mm)

H325-9DD

H325 Furler w/ 9 ea "D" 76" sections (59'3" / 18m)

Max wire diameter 3/8" (10mm)

H325-10DD14*

H325 Furler w/ 10 ea "D" 76" sections (65'6" / 19.9m)

*Special solid splice pieces to accept 7/16" (12mm) wire

Installation Accessories

- H9092-1 76" (1.93m) C size Luff extrusion w/connector and bearing for 5/16" wire
- H9049-1 76" (1.93m) D size Luff extrusion w/connector and bearing for 3/8" wire
- H9049-14 76" (1.93m) D size Luff extrusion w/connector and bearing for 7/16" wire
- HFL12-80 furling line 3/8"x80"
- HRS-2 Halyard Restrainer (when required)
- H6866 Single Stanchion Block
- H2268 Sail Pre-feeder
- HLBK-3 Lead Block kit: 4xH6866 and 1xHFL12-80

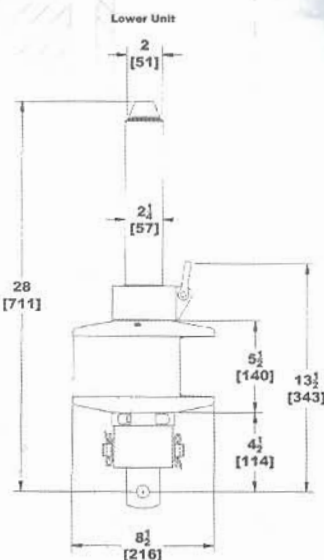
NEW PROFESSIONAL PACKAGE

Complete Installation kit

H325PPxxxxxx

Includes: H325, HLBK-03, H2268, HRS-2 and complete headstay with turnbuckle and mechanical fitting.

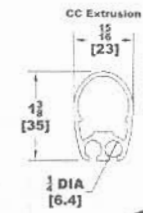
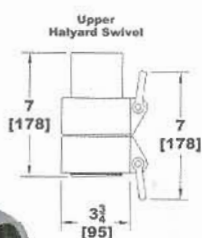
Consult Hood Price List for size, wire size and pin and length options.



Turnbuckle tube fits over existing turnbuckle

Stainless steel and Torlon® spherical bearings

Teck swivel rotates 360° for sail shaping



stainless Steel Feeders



Removable stainless steel drum cover for performance sailing

Universal clevis mounting

Photo credits:
Helson Signature 47

Specifications subject to change without notice.