

Performance that has stood the test of time

Max system length: 53'8" • For boats from 27' to 34' (8-10m)

An attractive price and lifetime warranty make the 253 SEA FURL-5 the best value on the market. It features our previously patented independent tack and head-swivel system for improved sail shape while reefing.

Wire Diameter 1x19ss

- 3/16" (5mm)
- 7/32" (6mm)
- 1/4" (7mm)
- 9/32" (8mm)

Rod sizes - 4 - 6 - 8 - 10

Clevis pin diameter**

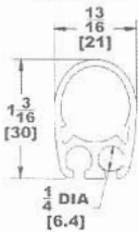
- 3/8" (9.5mm)
- 7/16" (11mm)
- 1/2" (12.7mm)

**Must specify pin size

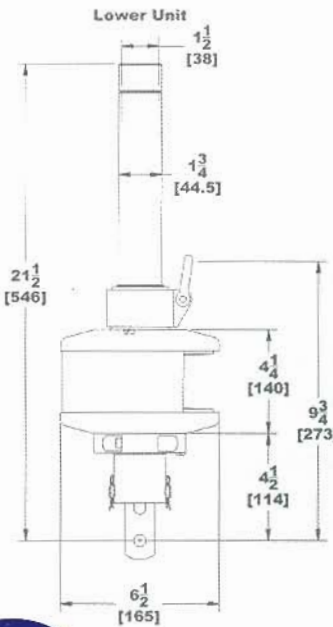
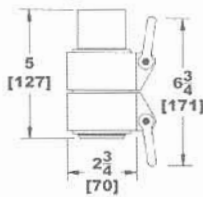
Notes: System fits over existing headstays with swage stud style turnbuckles. Some marine eye or mechanical fittings may require removal or re-installation.



BB Extrusion



Upper Halyard Swivel



Machined aluminium top cap

Twin groove air foil shaped extrusion

Sculpted high load halyard swivel

Removable stainless steel sailfeeder

Turnbuckle tube fits over existing turnbuckle

Teck swivel rotates 360° for sail

Removable stainless steel drum cover for performance sailing

Stainless steel and Teflon® spherical bearings

Universal clevis mounting

H253 SEAFURL-5

H253-6BB

H253 Furler w/ 6 sections (41' / 12.5m)

H253-7BB

H253 Furler w/ 7 sections (47.4" / 14.4m)



PROFESSIONAL PACKAGE

Complete Installation kit

H253PPxxxxxx

Includes: H253, HLBK-02, H2269, HRS-2 and complete headstay with turnbuckle and mechanical fitting.

Consult Hood Price List for size, wire size and pin and length options.

Installation Accessories

H9091-1	76" (1.93m) Luff extrusion w/connector, bearing liner and fasteners
HFL10-55	Furling Line 5/16"x55'
H9268-12	H253 - 3/8" Toggle/eye assembly
H9268-14	H253 - 7/16" Toggle/eye assembly
H9268-16	H253 - 1/2" Toggle/eye assembly
HRS-2	Halyard Restrainer (when required)
HSFAIRLEAD	Stanchion mounted Bulls-eye Fairlead
H6866	Single Stanchion Block
H2269	Small Sail Pre-feeder
HLBK-2	Lead Block kit: 3xHSLFAIRLEAD, 2xH6866 and 1xHFL10-55



Top Cap

Extrusions

Photo credits: Nelsen Signature 47
Specifications subject to change without notice